



47 series



Pump type Type de pompe Pumpentype Tipo de bomba Tipo di pompa	Flow rate Débit Förderleistung Caudal Portata		Max. pressure Pression Druck Presión Pressione			r.p.m. tr./min. u.p.m. r/min. g./min.	Power Puissance Leistung Potencia Potenza		Weight Poids Gewicht Peso Peso	Dimensions Dimensions Dimension Dimensiones Dimensioni
	l/min.	G.P.M. (U.S.A.)	bar	MPa	p.s.i.		kW	hp		
W101	15	3.96	100	10	1450	1000	2,94	4	14	298x252x176
W131	15	3.96	130	13	1885		4,04	5,5	14,5	321x224x176
W151	15	3.96	150	15	2175		4,04	5,5	14,5	321x224x176
W92	18	4.75	90	9	1300		2,94	4	14	298x252x176
W132	18	4.75	130	13	1885		4,04	5,5	14,5	321x224x176
WS171	13	3.43	170	17	2465	1450	4,04	5,5	14,5	321x224x176
WS133	13	3.43	120	12	1750		2,94	4	14	298x224x176
WS101	15	3.96	100	10	1450		2,94	4	14	298x224x176
WS131	15	3.96	130	13	1885		4,04	5,5	14,5	321x224x176
WS151 (*)	15	3.96	150	15	2175		4,04	5,5	14,5	321x224x176
WS92	18	4.75	90	9	1300		2,94	4	14	298x224x176
WS132	18,7	4.94	120	12	1750		4,04	5,5	14,5	321x224x176
WS82	21	5.55	80	8	1160		2,94	4	14	298x224x176
WS102	21	5.55	100	10	1450		4,04	5,5	14,5	321x224x176
W913	15	3.96	130	13	1885	1750	3,67	5	14	298x224x176
W912	18	4.75	100	10	1450		3,67	5	14	298x224x176
W914	21	5.55	100	10	1450		4,04	5,5	14,5	321x224x176

(*) Available on request in version with double-sided shaft / Disponible sur requête en version avec arbre à double sortie
Auf Wunsch lieferbar in Version mit Doppelwellenausgang / Disponible bajo pedido en versión con doble salida de eje
Disponibile su richiesta in versione con albero a doppia presa di forza



47 series



Pump type Type de pompe Pumpentype Tipo de bomba Tipo di pompa	Flow rate Débit Förderleistung Caudal Portata		Max. pressure Pression Druck Presión Pressione			r.p.m. tr./min. u.p.m. r/min. g./min.	Power Puissance Leistung Potencia Potenza		Weight Poids Gewicht Peso Peso	Dimensions Dimensions Dimension Dimensiones Dimensioni
	l/min.	G.P.M. (U.S.A.)	bar	MPa	p.s.i.		kW	hp		
W201	15	3.96	200	20	2900	1000	5,51	7,5	14,5	321x252x176
W162	18	4.75	160	16	2320		5,51	7,5		
WS201 (*)	15	3.96	200	20	2900	1450	5,51	7,5	14,5	321x224x176
WS162	18	4.75	160	16	2320		5,51	7,5		
WS152	21	5.55	150	15	2175		5,51	7,5		
WS202 (*)	21	5.55	200	20	2900		7,35	10		
W921	15	3.96	200	20	2900	1750	5,51	7,5	14,5	321x224x176
W916	18	4.75	160	16	2320		5,51	7,5		
W922	21	5.55	200	20	2900		7,35	10		

(*) Available on request in version with double-sided shaft / Disponible sur requête en version avec arbre à double sortie
Auf Wunsch lieferbar in Version mit Doppelwellenausgang / Disponible bajo pedido en versión con doble salida de eje
Disponibile su richiesta in versione con albero a doppia presa di forza



47 series



WS1630



WS251
WS252 NEW



W928

Pump type Type de pompe Pumpentype Tipo de bomba Tipo di pompa	Flow rate Débit Förderleistung Caudal Portata		Max. pressure Pression Druck Presión Pressione			r.p.m. tr./min. u.p.m. r/min. g./min.	Power Puissance Leistung Potencia Potenza		Weight Poids Gewicht Peso Peso	Dimensions Dimensions Dimension Dimensiones Dimensioni
	l/min.	G.P.M. (U.S.A.)	bar	MPa	p.s.i.		kW	hp		
NEW WS251	15	3.96	250	25	3625	1450	7,35	10	14,5	321x234x176
NEW WS252	21	5.55	250	25	3625		10,29	14	14,5	321x234x176
WS1630	30	7.92	160	16	2320		9,2	12,5	15	326x234x180
W928	15	3.96	275	27,5	4000	1750	8,08	11	14,5	321x234x176



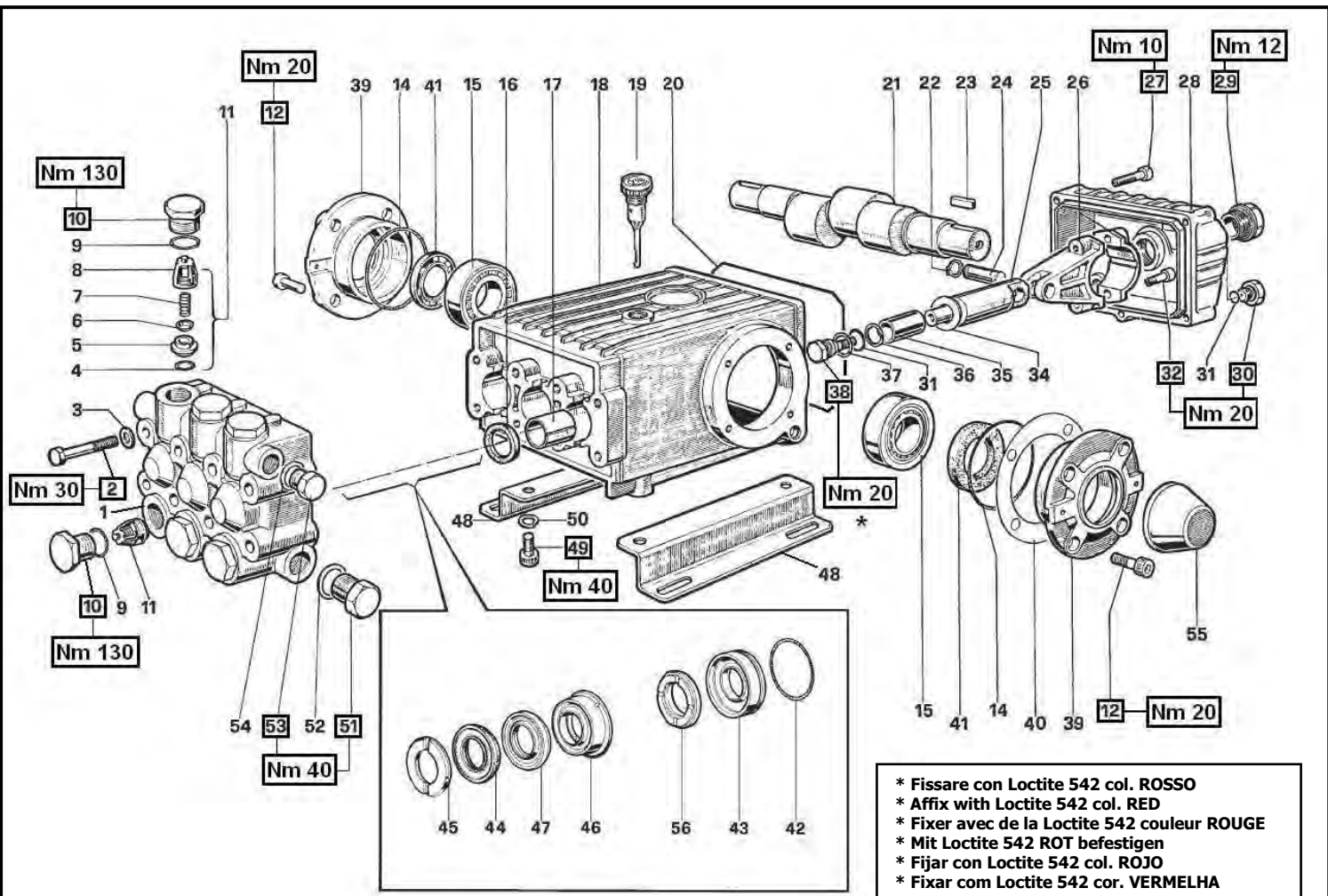
INTERPUMPGROUP



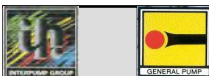
I GB F	ISTRUZIONI D'USO INSTRUCTIONS FOR USE MODE D'EMPLOI	D E P	BEDIENUNGSANLEITUNG INSTRUCCIONES DE USO INSTRUÇÕES DE USO
-----------------------	--	----------------------	---

Questo manuale deve essere letto e compreso in accordo al libretto generico "Istruzioni d'uso e manutenzione".
 This manual must be read and followed in accordance with the generic "Instructions for Use and Maintenance" booklet.
 Ce manuel doit être lu et compris en accord avec la notice générale " Mode d'emploi et d'entretien ".
 Dieses Handbuch ist in Verbindung mit dem allgemeinen Handbuch " Gebrauchs- und Wartungsanleitung " zu lesen und zu verstehen.
 Este manual debe leerse y comprenderse de acuerdo con el manual general "Instrucciones de uso y mantenimiento"
 Este manual deve ser lido e interpretado de acordo com o livro genérico "Instruções de uso e manutenção"

47	S E R I E S			Portata Flow rate Débit Förderstrom Caudal Fluxo		Pressione Pressure Pression Druck Presión Pressão			Potenza Power Puissance Leistung Potencia Poder		Peso Weight Poids Gewicht Peso Peso				
				L/min	gpm	bar	MPa	psi	g/m rpm t/m upm r/m r/m	Hp	kW	Kg		lbs	Lt.
				W101	15	3.96	100	10	1450	1000	4.0	2.94	14.0	30.8	1.0
				W131	15	3.96	130	13	1885	1000	5.5	4.04	14.5	31.9	1.1
				W151	15	3.96	150	15	2175	1000	5.5	4.04	14.5	31.9	1.1
				W201	15	3.96	200	20	2900	1000	7.5	5.51	14.5	31.9	1.1
				W92	18	4.75	90	9	1300	1000	4.0	2.94	14.0	30.8	1.0
				W132	18	4.75	130	13	1885	1000	5.5	4.04	14.5	31.9	1.1
				W162	18	4.75	160	16	2320	1000	7.5	5.51	14.5	31.9	1.1
				WS133	13	3.43	120	12	1750	1450	4.0	2.94	14.0	30.8	1.0
				WS171	13	3.43	170	17	2465	1450	5.5	4.04	14.5	31.9	1.1
				WS101	15	3.96	100	10	1450	1450	4.0	2.94	14.0	30.8	1.0
				WS131	15	3.96	130	13	1885	1450	5.5	4.04	14.5	31.9	1.1
				WS151	15	3.96	150	15	2175	1450	5.5	4.04	14.5	31.9	1.1
				WS201	15	3.96	200	20	2900	1450	7.5	5.51	14.5	31.9	1.1
				WS92	18	4.75	90	9	1300	1450	4.0	2.94	14.0	30.8	1.0
				WS162	18	4.75	160	16	2320	1450	7.5	5.51	14.5	31.9	1.1
				WS132	18.7	4.94	120	12	1750	1450	5.5	4.04	14.5	31.9	1.1
				WS82	21	5.55	80	8	1160	1450	4.0	2.94	14.0	30.8	1.0
				WS102	21	5.55	100	10	1450	1450	5.5	4.04	14.5	31.9	1.1
				WS152	21	5.55	150	15	2175	1450	7.5	5.51	14.5	31.9	1.1
				WS202	21	5.55	200	20	2900	1450	10.0	7.35	14.5	31.9	1.1
				W913	15	3.96	130	13	1885	1750	5.0	3.67	14.0	30.8	1.0
				W921	15	3.96	200	20	2900	1750	7.5	5.51	14.5	31.9	1.1
				W928 T9281	15	3.96	275	27.5	4000	1750	11.0	8.08	14.5	31.9	1.1
				W912	18	4.75	100	10	1450	1750	5.0	3.67	14.0	30.8	1.0
				W916	18	4.75	160	16	2320	1750	7.5	5.51	14.5	31.9	1.1
				W914	21	5.55	100	10	1450	1750	5.5	4.04	14.5	31.9	1.1
				W922	21	5.55	200	20	2900	1750	10.0	7.35	14.5	31.9	1.1



* Fissare con Loctite 542 col. ROSSO
 * Affix with Loctite 542 col. RED
 * Fixer avec de la Loctite 542 couleur ROUGE
 * Mit Loctite 542 ROT befestigen
 * Fijar con Loctite 542 col. ROJO
 * Fixar com Loctite 542 cor. VERMELHA



KIT RICAMBI – SPARE KITS

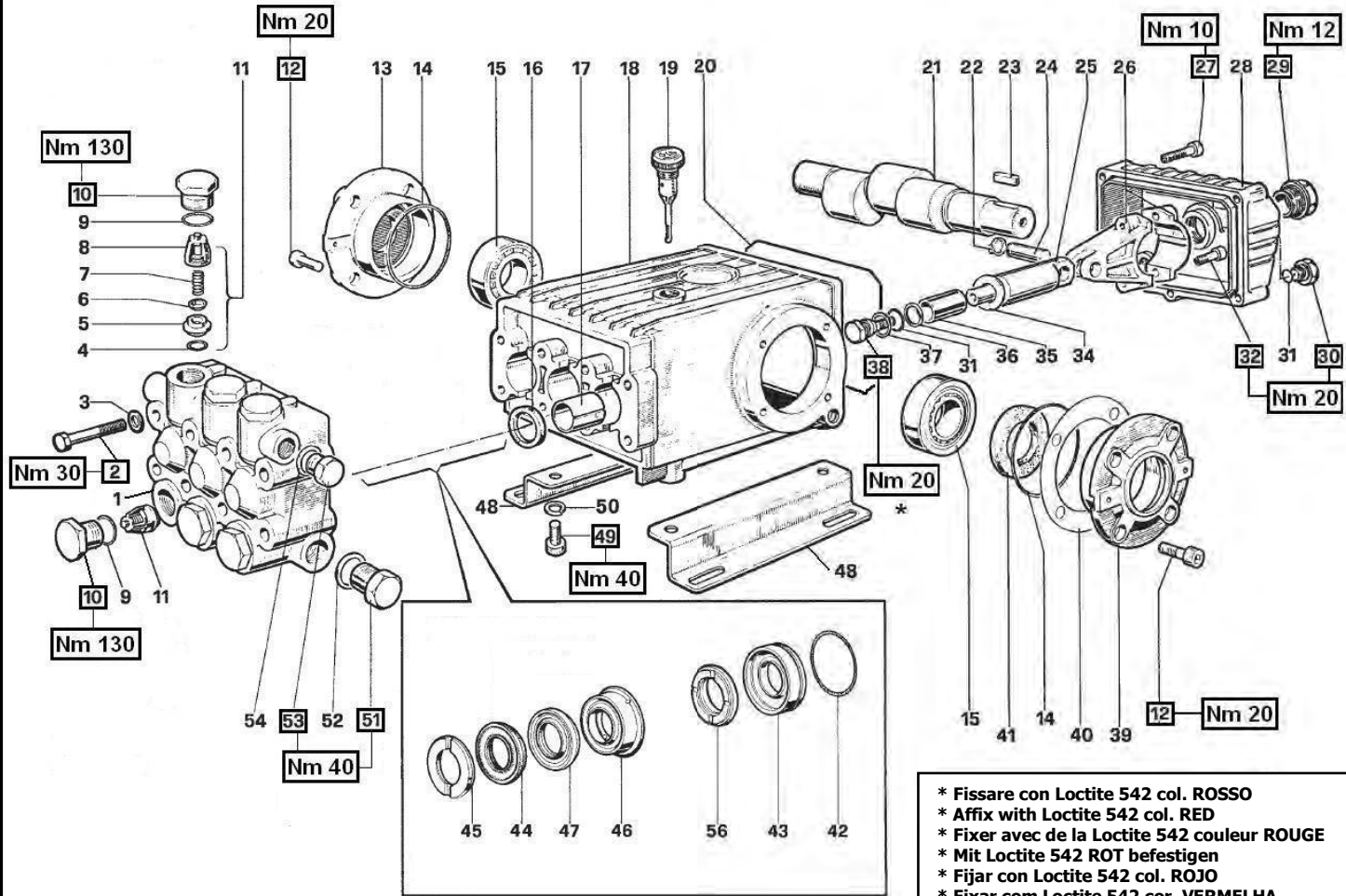
KIT Nr.	KIT 1	KIT 2	KIT 3	KIT 6	KIT 4	KIT 5	KIT 7	KIT 10	KIT 28	KIT 69	KIT 71	PISTONE- PISTON Ø20				PISTONE- PISTON Ø22			
												KIT 11	KIT 14	KIT 29	KIT 148	KIT 11	KIT 14	KIT 29	KIT 148
Posizioni include Positions included	4-5 6-7 8 (11)	16	41	31-34 36-37 38	9-10	9-10	45	42-43	42-43 44-45 46-47 56	44-47 56	46-47	45	42-43	42-43 44-45 46-47 56	44-47 56	46-47			
Nr. Pcs.	6	3	2	3	6	6	6	3	1	3	3	6	3	1	3	3			

	PISTONE – PISTON Ø20	PISTONE – PISTON Ø22
OTTONE BRASS	W101 - W131 W151	W92 - W132
NICKEL	W201	W162

POS	COD.	DESCRIZIONE – DESCRIPTION - KIT	NR
1	47.1201.41 47.1202.41	Testata Ø 20-22 Testata Ø 20-22 - NICKEL	1 1
2	99.3206.00	Vite M8x70 UNI 5737	8
3	96.7020.00	Rosetta Ø 8 UNI 1736	8
4	90.3841.00	OR Ø 17.13x2.62 (3068)	1 6
5	36.2003.66	Sede valvola	1 6
6	36.2001.76	Valvola	1 6
7	94.7376.00	Molla Ø 9.4x14.8	1 6
8	36.2002.51	Guida valvola	1 6
9	90.3847.00	OR Ø 20.24x2.62 (3081)	4-5 6
10	98.2220.00 98.2222.00	Tappo M24x2x16.5 Tappo M24x2x16.5 – NICKEL	4 6 5 6
11	36.7032.01	Gruppo valvola	1 6
12	99.3039.00	Vite M8x16 UNI 5931	8
14	90.3913.00	OR Ø 67.95x2.62 (3325)	2
15	91.8375.00	Cuscinetto a rulli 32206	2
16	90.1625.00	Anello rad. Ø 22x32x2.5	2 3
17	90.9126.00	Boccola Ø 22x25x30	3
18	47.0100.22	Carter pompa	1

POS	COD.	DESCRIZIONE – DESCRIPTION - KIT	NR
19	98.2106.00	Tappo carico olio G 3/8"	1
20	90.3922.00	OR Ø 133.02x2.62 (3525)	1
21	47.0200.35 47.0201.35 47.0211.35	Albero – D. PTO - W92-W101 Albero – D. PTO - W132-W151-W162-W201 Albero – D. PTO - W131	1 1 1
22	90.0557.00	Anello di fermo Ø 12	6
23	91.4878.00	Linguetta 8x7x25 UNI 6604	1
24	97.7380.00	Spinotto Ø 13x35	3
25	47.0503.56 47.0504.66 47.0505.54	Guida pistone - W162-W201 Guida pistone - W92 -W101 Guida pistone - W132-W131-W151	3 3 3
26	47.0300.01	Biella completa	3
27	99.1837.00 99.1912.00	Vite M6x14 UNI 5931 - W92-W101 Vite M6x30 UNI 5931 - W132-W131 W151-W162-W201	5 5
28	47.1600.22 47.1601.22	Coperchio carter - W92-W101 Coperchio carter - W132-W131-W151 W162-W201	1 1
29	97.5968.00	Spia livello olio G 3/4"	1
30	98.2041.00	Tappo G 1/4"x9	1
31	90.3585.00	OR Ø 10.82x1.78 (2043)	6 4
32	99.3099.00	Vite M8x35 UNI 5931	6
34	96.7286.00	Rosetta Ø 14x28x0.5	6 3
35	47.0404.09 47.0405.09	Pistone Ø 20 Pistone Ø 22	3 3
36	90.5067.00	Anello antiest. Ø 11x14x1.5	6 3
37	96.7280.00	Rosetta Ø 14x18.5x0.5	6 3

POS	COD.	DESCRIZIONE – DESCRIPTION - KIT	NR
38	47.2195.66	Vite fissaggio pistone	6 3
39	47.1510.22	Coperchio cuscinetto	2
40	97.5678.00	Spessore	2
41	90.1648.00	Anello rad. Ø 30x55x7	3 2
42	90.3616.00	OR Ø 34.65x1.78 (2137)	10-14-28-29 3
43	47.0805.70 47.0806.70	Anello di fondo Ø 20 Anello di fondo Ø 22	10-28 14-29 3 3
44	90.2705.00 90.2725.00	Anello tenuta Ø 20 HP Anello tenuta Ø 22 HP	28-69 29-148 3 3
45	47.1000.51 46.1000.51	Anello di testa Ø 20 Anello di testa Ø 22	7-28 11-29 3 3
46	47.2169.70 47.2170.70	Anello intermedio Ø 20 Anello intermedio Ø 22	28-71 29-149 3 3
47	90.2704.00 90.2730.00	Anello RESTOP Ø 20 Anello RESTOP Ø 22	28-69-71 29-148-149 3 3
48	47.2000.74	Piedino	2
49	99.3644.00	Vite M10x18 UNI 5931	4
50	96.7106.00	Rosetta Ø 10 DIN 7980	4
51	98.2176.00	Tappo G 1/2"x10	1
52	96.7514.00	Rosetta Ø 21.5x27x1.5	1
53	98.2100.00	Tappo G 3/8"x13	1
54	96.7380.00	Rosetta Ø 17.5x23x1.5	1
55	47.2124.51	Cappellotto PTO	1
56	90.2710.00 90.2728.00	Anello tenuta Ø 20 LP Anello tenuta Ø 22 LP	28-69 29-148 3 3



* Fissare con Loctite 542 col. ROSSO
 * Affix with Loctite 542 col. RED
 * Fixer avec de la Loctite 542 couleur ROUGE
 * Mit Loctite 542 ROT befestigen
 * Fijar con Loctite 542 col. ROJO
 * Fixar com Loctite 542 cor. VERMELHA



**WS82 - WS101 - WS133
W912 - W913 - WS102
WS131 - WS151
WS171 - WS201 - W916
WS152 - WS202 - W921
W914 - W922**

PISTONE – PISTON Ø20

OTTONE BRASS	WS82 - WS101 - WS133 W912 - W913 - WS102 WS131 - WS151 - WS171 W914
	WS201 - W916 – WS152 WS202 - W921 – W922
NICKEL	

KIT RICAMBI – SPARE KITS

KIT Nr.	KIT 1	KIT 2	KIT 3	KIT 6
Posizioni include Positions included	4-5 6-7 8 (11)	16	41	31-34 36-37 38
Nr. Pcs.	6	3	2	3

OTTONE BRASS

NICKEL

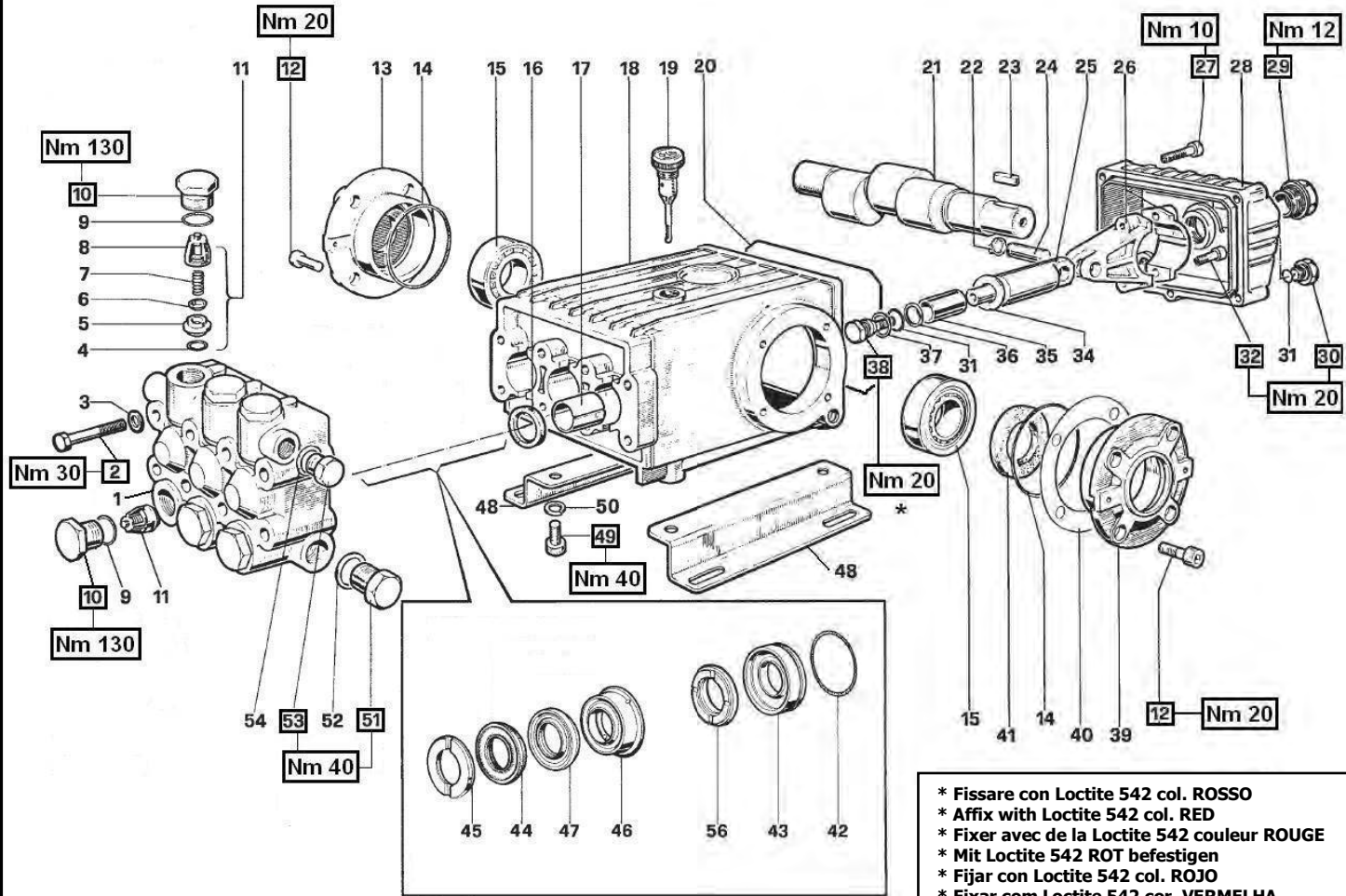
PISTONE - PISTON Ø20

KIT 4	KIT 5	KIT 7	KIT 10	KIT 28	KIT 69	KIT 71
9-10	9-10	45	42-43	42-43 44-45 46-47 56	44-47 56	46-47
6	6	6	3	1	3	3

POS	COD.	DESCRIZIONE – DESCRIPTION - KIT	NR
1	47.1201.41	Testata Ø 20	1
	47.1202.41	Testata Ø 20 – NICKEL	1
2	99.3206.00	Vite M8x70 UNI 5737	8
3	96.7020.00	Rosetta Ø 8 UNI 1736	8
4	90.3841.00	OR Ø 17.13x2.62 (3068)	1 6
5	36.2003.66	Sede valvola	1 6
6	36.2001.76	Valvola	1 6
7	94.7376.00	Molla Ø 9.4x14.8	1 6
8	36.2002.51	Guida valvola	1 6
9	90.3847.00	OR Ø 20.24x2.62 (3081)	4-5 6
10	98.2220.00	Tappo M24x2x16.5	4 6
	98.2222.00	Tappo M24x2x16.5 - NICKEL	5 6
11	36.7032.01	Gruppo valvola	1 6
12	99.3039.00	Vite M8x16 UNI 5931	8
13	47.1511.22	Coperchio cuscinetto	1
14	90.3913.00	OR Ø 67.95x2.62 (3325)	2
15	91.8375.00	Cuscinetto 32206	2
	91.8377.00	Cuscinetto 32206 - WS152-WS202-W921	2
16	90.1625.00	Anello rad. Ø 22x32x2.5	2 3
17	90.9126.00	Boccola Ø 22x25x30	3
18	47.0100.22	Carter pompa	1
	47.0102.22	Carter pompa - WS152-WS202-W921	1
19	98.2106.00	Tappo carico olio G 3/8"	1
20	90.3922.00	OR Ø 133.02x2.62 (3525)	1

POS	COD.	DESCRIZIONE – DESCRIPTION - KIT	NR
21	47.0204.35	Albero - WS102	1
	47.0206.35	Albero - WS151-WS201-W916-W914	1
	47.0210.35	Albero - WS131	1
	47.0215.35	Albero - WS171	1
	47.0217.35	Albero - WS82-WS152-WS202	1
	47.0218.35	Albero - WS101-W912	1
	47.0219.35	Albero - WS133-W913-W921	1
	47.0230.35	Albero - W914-W922	1
22	90.0557.00	Anello di fermo Ø 12	6
23	91.4890.00	Linguetta 8x7x35 UNI 6604	1
24	97.7380.00	Spinotto Ø 13x35	3
25	47.0503.56	Guida pistone - WS201-W916-WS152-W922 WS202-W921	3
	47.0504.66	Guida pistone - WS82-WS101-WS133-W912 W913	3
	47.0505.54	Guida pistone - WS102-WS131-WS151 WS171-W914	3
26	47.0300.01	Biella completa	3
27	99.1837.00	Vite M6x14 UNI 5931 - WS82-WS101 WS133-W912-W913	5
	99.1912.00	Vite M6x30 UNI 5931 - WS102-WS131 WS151-WS171-WS201-W916-WS152-WS202 W921-W914-W922	5
28	47.1600.22	Coperchio carter - WS82-WS101-WS133 W912-W913	1
	47.1601.22	Coperchio carter - WS102-WS131-WS151 WS171-WS201-W916-WS152-WS202-W921 W914-W922	1
29	97.5968.00	Spia livello olio G 3/4"	1
30	98.2041.00	Tappo G 1/4"x9	1
31	90.3585.00	OR Ø 10.82x1.78 (2043)	6 4
32	99.3099.00	Vite M8x35 UNI 5931	6
34	96.7286.00	Rosetta Ø 14x28x0.5	3
35	47.0404.09	Pistone Ø 20	3

POS	COD.	DESCRIZIONE – DESCRIPTION - KIT	NR
36	90.5067.00	Anello antiest. Ø 11x14x1.5	6 3
37	96.7280.00	Rosetta Ø 14x18.5x0.5	6 3
38	47.2195.66	Vite fissaggio pistone	6 3
39	47.1510.22	Coperchio cuscinetto	1
40	97.5678.00	Spessore	2
41	90.1648.00	Anello rad. Ø 30x55x7	3 1
42	90.3616.00	OR Ø 34.65x1.78 (2137)	10-28 3
43	47.0805.70	Anello di fondo Ø 20	10-28 3
44	90.2705.00	Anello tenuta Ø 20 H.P.	28-69 3
45	47.1000.51	Anello di testa Ø 20	7-28 3
46	47.2169.70	Anello intermedio Ø 20	28-71 3
47	90.2704.00	Anello RESTOP Ø 20	28-69-71 3
48	47.2000.74	Piedino	2
49	99.3644.00	Vite M10x18 UNI 5931	4
50	96.7106.00	Rosetta Ø 10 DIN 7980	4
51	98.2176.00	Tappo G 1/2"x10	1
52	96.7514.00	Rosetta Ø 21.5x27x1.5	1
53	98.2100.00	Tappo G 3/8"x13	1
54	96.7380.00	Rosetta Ø 17.5x23x1.5	1
56	90.2710.00	Anello tenuta Ø 20 L.P.	28-69 3



**KIT RICAMBI – SPARE KITS****OTTONE BRASS****NICKEL****PISTONE - PISTON Ø22**

WS92 - WS132 WS162

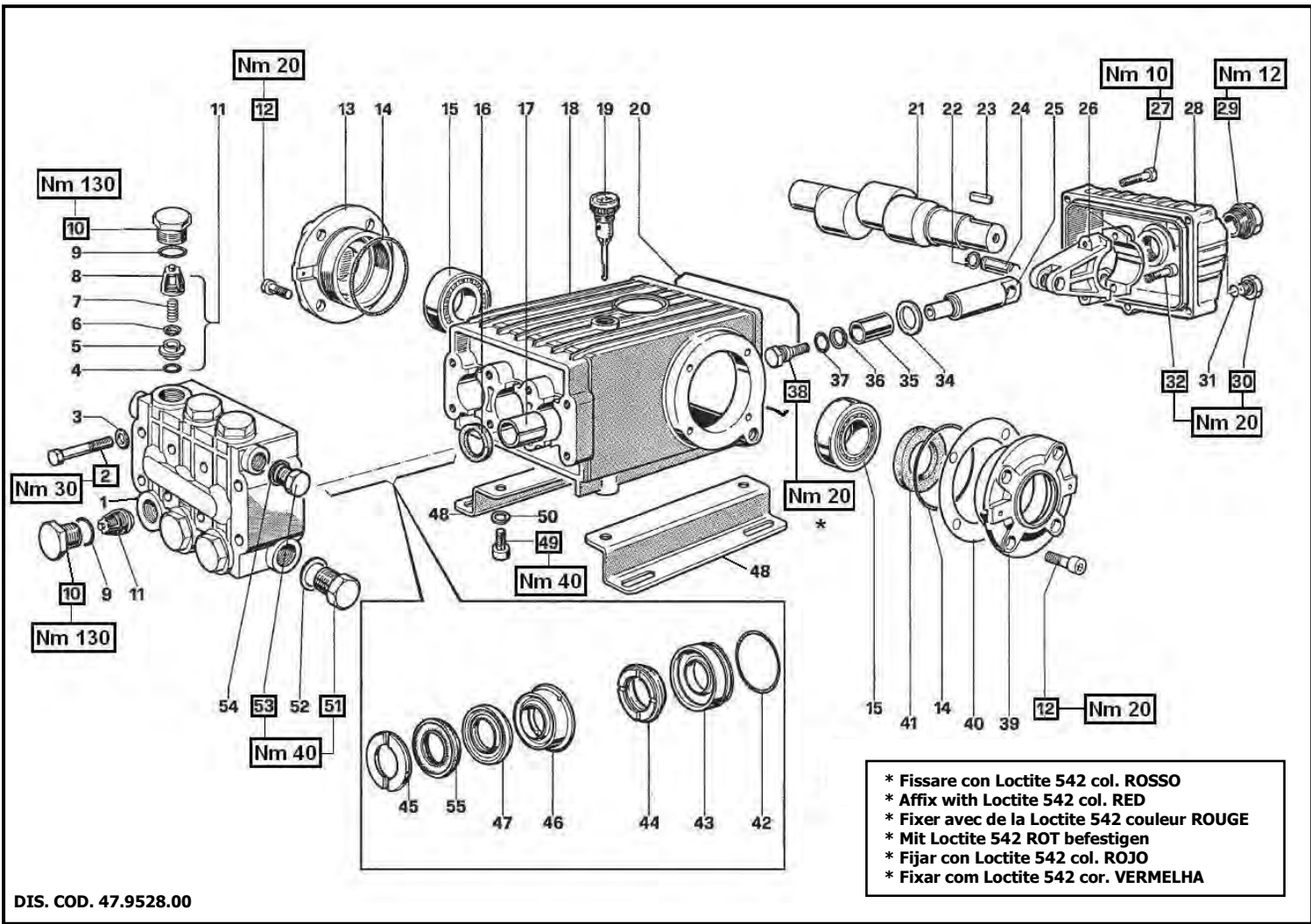
	PISTONE – PISTON Ø22
OTTONE BRASS	WS92 - WS132
NICKEL	WS162

KIT Nr.	KIT 1	KIT 2	KIT 3	KIT 6	KIT 4	KIT 5	KIT 11	KIT 14	KIT 29	KIT 148	KIT 149
Posizioni include Positions included	4-5 6-7 8 (11)	16	41	31-34 36-37 38	9-10	9-10	45	42-43	42-43 44-45 46-47 56	44-47 56	46-47
Nr. Pcs.	6	3	2	3	6	6	6	3	1	3	3

POS	COD.	DESCRIZIONE – DESCRIPTION - KIT	NR
1	47.1201.41 47.1202.41	Testata Ø 22 Testata Ø 22 – NICKEL	1 1
2	99.3206.00	Vite M8x70 UNI 5737	8
3	96.7020.00	Rosetta Ø 8 UNI 1736	8
4	90.3841.00	OR Ø 17.13x2.62 (3068)	1 6
5	36.2003.66	Sede valvola	1 6
6	36.2001.76	Valvola	1 6
7	94.7376.00	Molla Ø 9.4x14.8	1 6
8	36.2002.51	Guida valvola	1 6
9	90.3847.00	OR Ø 20.24x2.62 (3081)	4-5 6
10	98.2220.00 98.2222.00	Tappo M24x2x16.5 Tappo M24x2x16.5 - NICKEL	4 6 5 6
11	36.7032.01	Gruppo valvola	1 6
12	99.3039.00	Vite M8x16 UNI 5931	8
13	47.1511.22	Coperchio cuscinetto	1
14	90.3913.00	OR Ø 67.95x2.62 (3325)	2
15	91.8375.00	Cuscinetto 32206	2
16	90.1625.00	Anello rad. Ø 22x32x2.5	2 3
17	90.9126.00	Boccola Ø 22x25x30	3
18	47.0100.22	Carter pompa	1
19	98.2106.00	Tappo carico olio G 3/8"	1
20	90.3922.00	OR Ø 133.02x2.62 (3525)	1
21	47.0206.35 47.0218.35	Albero - WS132-WS162 Albero - WS92	1 1

POS	COD.	DESCRIZIONE – DESCRIPTION - KIT	NR
22	90.0557.00	Anello di fermo Ø 12	6
23	91.4890.00	Linguetta 8x7x35 UNI 6604	1
24	97.7380.00	Spinotto Ø 13x35	3
25	47.0503.56 47.0504.66 47.0505.54	Guida pistone - WS162 Guida pistone - WS92 Guida pistone - WS132	3 3 3
26	47.0300.01	Biella completa	3
27	99.1837.00 99.1912.00	Vite M6x14 UNI 5931 - WS92 Vite M6x30 UNI 5931 - WS132-WS162	5 5
28	47.1600.22 47.1601.22	Coperchio carter - WS92 Coperchio carter - WS132-WS162	1 1
29	97.5968.00	Spia livello olio G 3/4"	1
30	98.2041.00	Tappo G 1/4"x9	1
31	90.3585.00	OR Ø 10.82x1.78 (2043)	6 4
32	99.3099.00	Vite M8x35 UNI 5931	6
34	96.7286.00	Rosetta Ø 14x28x0.5	6 3
35	47.0405.09	Pistone Ø 22	3
36	90.5067.00	Anello antiest. Ø 11x14x1.5	6 3
37	96.7280.00	Rosetta Ø 14x18.5x0.5	6 3
38	47.2195.66	Vite fissaggio pistone	6 3
39	47.1510.22	Coperchio cuscinetto	1
40	97.5678.00	Spessore	2
41	90.1648.00	Anello rad. Ø 30x55x7	3 1
42	90.3616.00	OR Ø 34.65x1.78 (2137)	14-29 3

POS	COD.	DESCRIZIONE – DESCRIPTION - KIT	NR
43	47.0806.70	Anello di fondo Ø 22	14-29 3
44	90.2725.00	Anello tenuta Ø 22 HP	29-148 3
45	46.1000.51	Anello di testa Ø 22	11-29 3
46	47.2170.70	Anello intermedio Ø 22	29-149 3
47	90.2730.00	Anello RESTOP Ø 22	29-148-149 3
48	47.2000.74	Piedino	2
49	99.3644.00	Vite M10x18 UNI 5931	4
50	96.7106.00	Rosetta Ø 10 DIN 7980	4
51	98.2176.00	Tappo G 1/2"x10	1
52	96.7514.00	Rosetta Ø 21.5x27x1.5	1
53	98.2100.00	Tappo G 3/8"x13	1
54	96.7380.00	Rosetta Ø 17.5x23x1.5	1
56	90.2728.00	Anello tenuta Ø 22 LP	29-148 3



KIT RICAMBI – SPARE KITS

KIT Nr.	KIT 1	KIT 2	KIT 3	KIT 106	KIT 107	KIT 108	KIT 109	KIT 110	KIT 111	KIT 112
Posizioni include Positions included	4-5 6-7 8 (11)	16	41	9-10	36-37 38	45	44-47 55	46	42-43	42-43 44-45 46-47 55
Nr. Pcs.	6	3	2	6	3	6	3	3	3	1

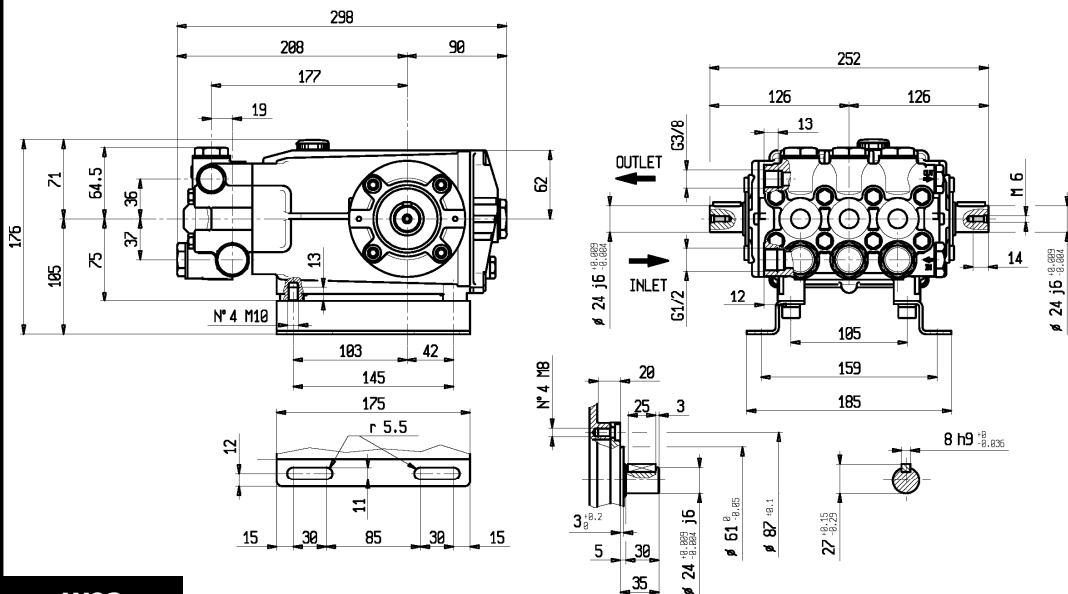
**W928
T9281**

POS	COD.	DESCRIZIONE – DESCRIPTION - KIT	NR
1	47.1214.41	Testata Ø 16 - NICKEL	1
2	99.3206.00	Vite M8x70 UNI 5737	8
3	96.7020.00	Rosetta Ø 8 UNI 1736	8
4	90.3841.00	OR Ø 17.13x2.62 (3068)	1 6
5	36.2003.66	Sede valvola	1 6
6	36.2001.76	Valvola	1 6
7	94.7376.00	Molla Ø 9.4x14.8	1 6
8	36.2002.51	Guida valvola	1 6
9	90.3847.00	OR Ø 20.24x2.62 (3081)	106 6
10	98.2224.00	Tappo M24x1.5x17.5 – H.P.	106 6
11	36.7032.01	Gruppo valvola	1 6
12	99.3039.00	Vite M8x16 UNI 5931	8
13	47.1511.22	Coperchio cuscinetto	1
14	90.3913.00	OR Ø 67.95x2.62 (3325)	2
15	91.8377.00	Cuscinetto a rulli 32206	2
16	90.1625.00	Anello rad. Ø 22x32x2.5	2 3
17	90.9126.00	Boccola Ø 22x25x30	3
18	47.0102.22	Carter pompa	1
19	98.2106.00	Tappo carico olio G 3/8"	1
20	90.3922.00	OR Ø 133.02x2.62 (3525)	1
21	47.0217.35	Albero	1
22	90.0557.00	Anello di fermo Ø 12	6
23	91.4890.00	Linguetta 8x7x35 UNI 6604	1

POS	COD.	DESCRIZIONE – DESCRIPTION - KIT	NR
24	97.7380.00	Spinotto Ø 13x35	3
25	47.0506.66	Guida pistone	3
26	47.0300.01	Biella completa	3
27	99.1912.00	Vite M6x30 UNI 5931	5
28	47.1601.22	Coperchio carter	1
29	97.5968.00	Spia livello olio G 3/4"	1
30	98.2041.00	Tappo G 1/4"x9	1
31	90.3585.00	OR Ø 10.82x1.78 (2043)	1
32	99.3099.00	Vite M8x35 UNI 5931	6
34	47.2117.47	Anello di protezione	3
35	47.0408.56	Pistone Ø 16	3
36	90.5033.00	Anello antiest. Ø 8x11x1.5	107 3
37	90.3577.00	OR Ø 7.66x1.78 – Spec.	107 3
38	47.2196.66	Vite fissaggio pistone	107 3
39	47.1510.22	Coperchio cuscinetto	1
40	97.5678.00	Spessore	2
41	90.1648.00	Anello rad. Ø 30x55x7	3 1
42	90.3616.00	OR Ø 34.65x1.78 (2137)	111-112 3
43	47.0808.70	Anello di fondo Ø 16	111-112 3
44	90.2644.00	Anello tenuta Ø 16 LP	109-112 3
45	47.1003.51	Anello di testa Ø 16	108-112 3
46	47.2172.70	Anello intermedio Ø 16	110-112 3
47	90.2643.00	Anello RESTOP Ø 16	109-112 3

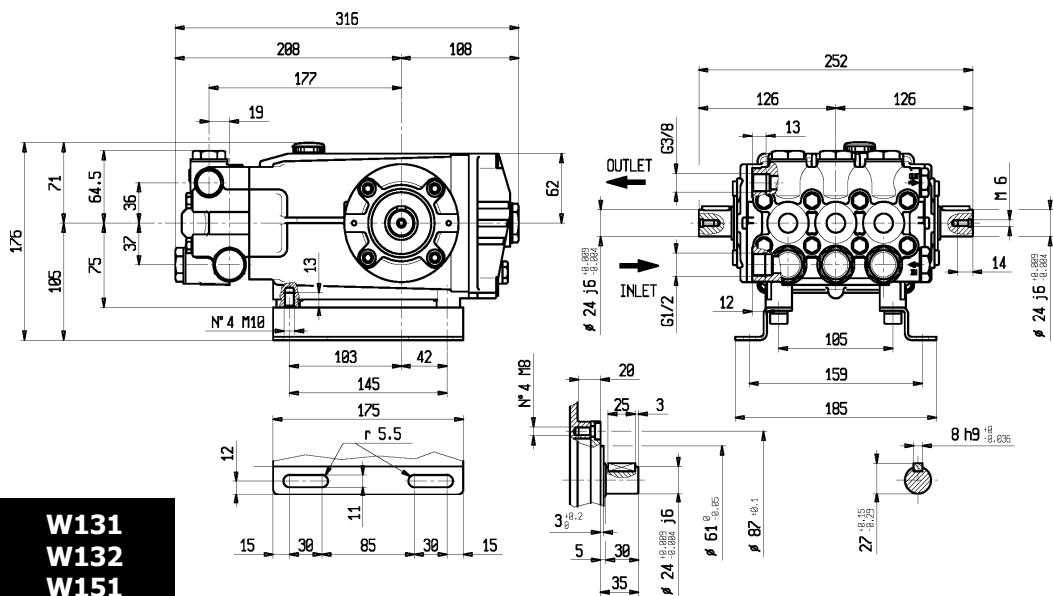
POS	COD.	DESCRIZIONE – DESCRIPTION - KIT	NR
48	47.2000.74	Piedino	2
49	99.3644.00	Vite M10x18 UNI 5931	4
50	96.7106.00	Rosetta Ø 10 DIN 7980	4
51	98.2176.00	Tappo G 1/2"x10	1
52	96.7514.00	Rosetta Ø 21.5x27x1.5	1
53	98.2100.00	Tappo G 3/8"x13	1
54	96.7380.00	Rosetta Ø 17.5x23x1.5	1
55	90.2642.00	Anello tenuta Ø 16 H.P.	109-112 3

**DIMENSIONI D'INGOMBRO – OVERALL DIMENSIONS – DIMENSIONS D'ENCOMBREMENT
RAUMBEDARF – DIMENSIONES TOTALES – DIMENSÕES**



**W92
W101**

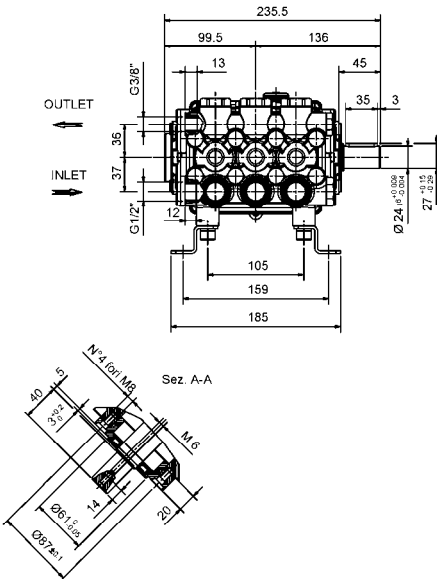
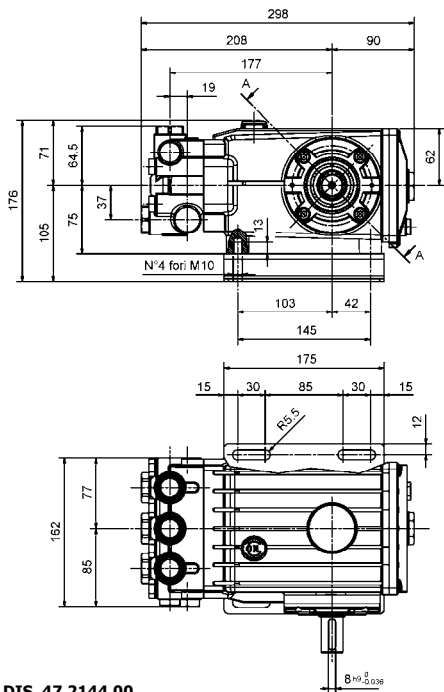
COD. DIS. 47.2140.00



**W131
W132
W151
W162
W201**

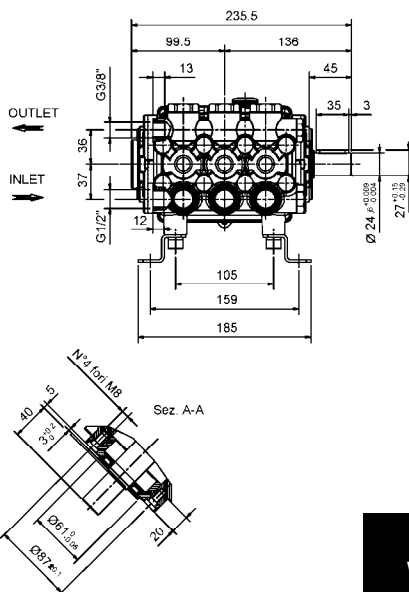
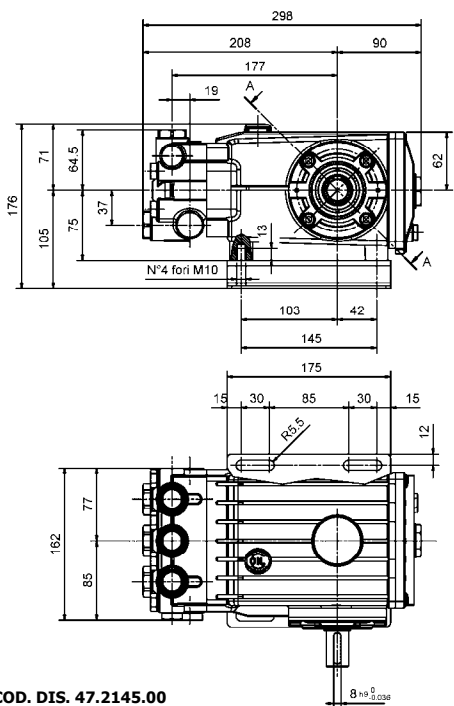
COD. DIS. 47.2141.00

**DIMENSIONI D'INGOMBRO – OVERALL DIMENSIONS – DIMENSIONS D'ENCOMBREMENT
RAUMBEDARF – DIMENSIONES TOTALES – DIMENSÕES**



COD. DIS. 47.2144.00

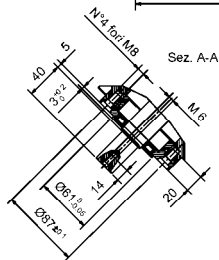
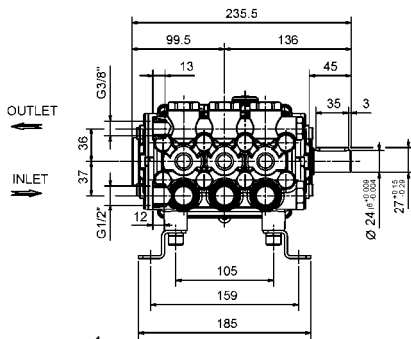
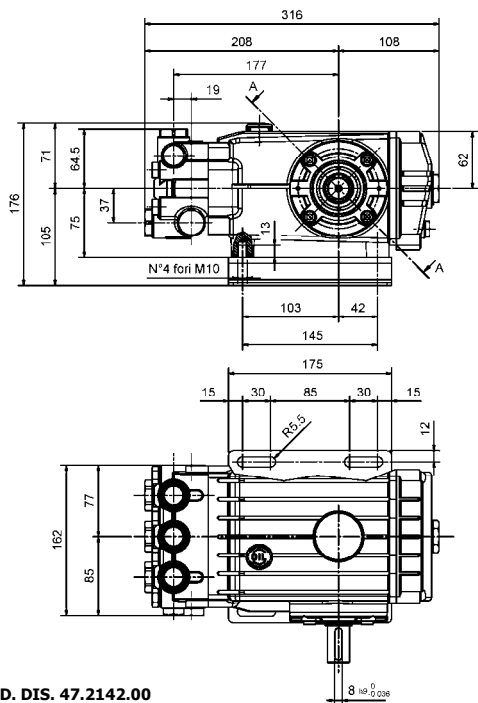
WS82



COD. DIS. 47.2145.00

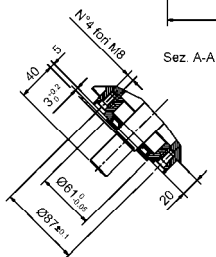
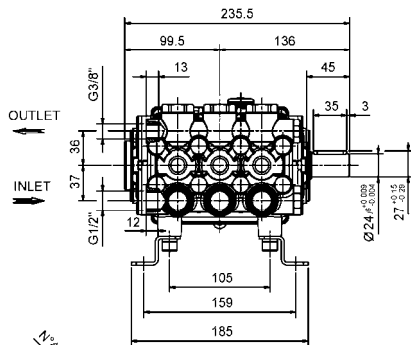
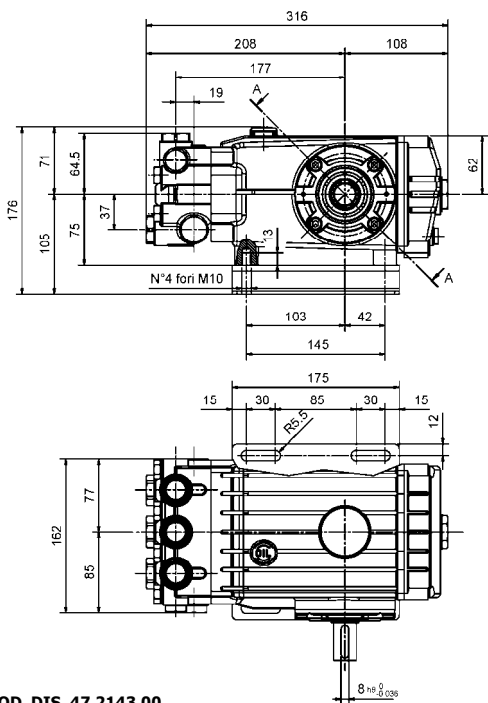
**WS92
WS101
WS133
W912
W913**

**DIMENSIONI D'INGOMBRO – OVERALL DIMENSIONS – DIMENSIONS D'ENCOMBREMENT
RAUMBEDARF – DIMENSIONES TOTALES – DIMENSÕES**



COD. DIS. 47.2142.00

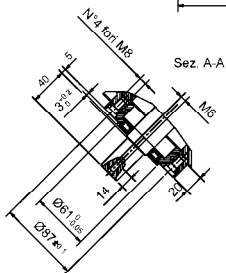
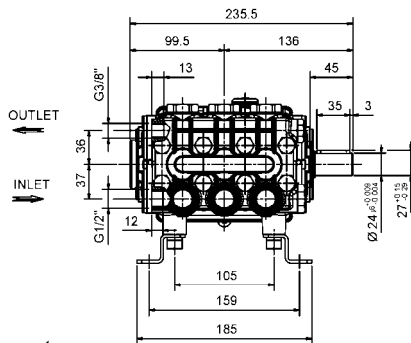
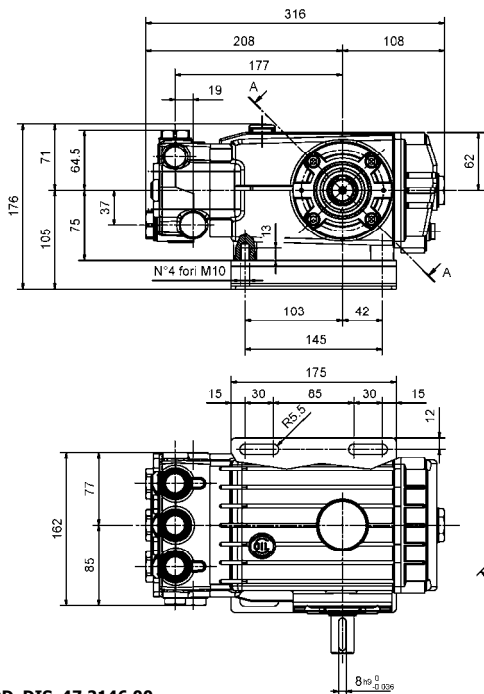
**WS102
WS152
WS202**



COD. DIS. 47.2143.00

**WS131
WS132
WS151
WS162
WS171
WS201
W916
W921
W914
W922**

**DIMENSIONI D'INGOMBRO – OVERALL DIMENSIONS – DIMENSIONS D'ENCOMBREMENT
 RAUMBEDARF – DIMENSIONES TOTALES – DIMENSÕES**



COD. DIS. 47.2146.00

**W928
T9281**